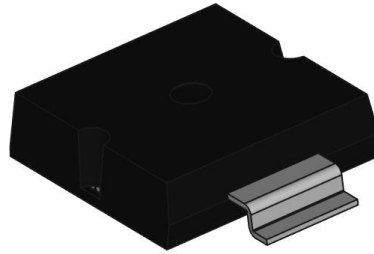


1. Finish Goods PKG photo



2. Packing method-bag



Inner bag



Outer box

Fig.1- Box pack for SMD

Table 1. Packing information

Package version	Inner bag L×W (mm)	SPQ/PQ (pcs)	Outer box L×W×H (mm)	Pcs/ Outer box
SPD4-1	168*102	64	120*105*57	128

B141, Rev. -

3. Packing method-Reel

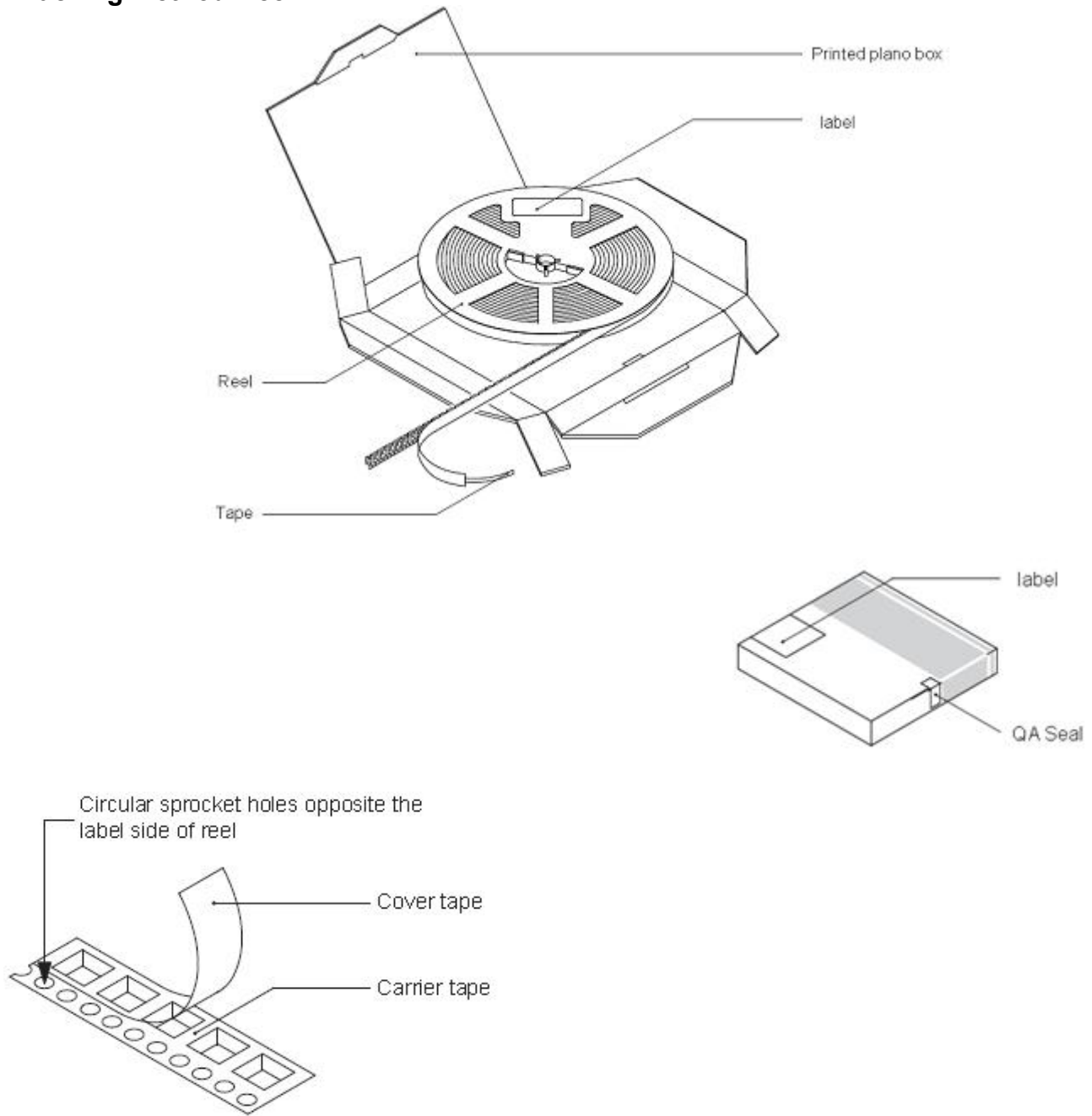


Fig.2- Reel pack for SMD

Table 2. Packing information

Package version	Reel dimensions $\phi \times H$ (mm)	Per reel (Pcs)	Reel Weight (Kg)	Reels per box	Inner box dimensions L×W×H (mm)	Inner box weight (Kg)	Outer box (Pcs)	Outer box weight (Kg)
SPD4-1	$\Phi 330 \times 24.5$	500	1.25	1	335*335*30	1.43	4000	12.54

4. Product orientation

Standard product orientation SPD4-1

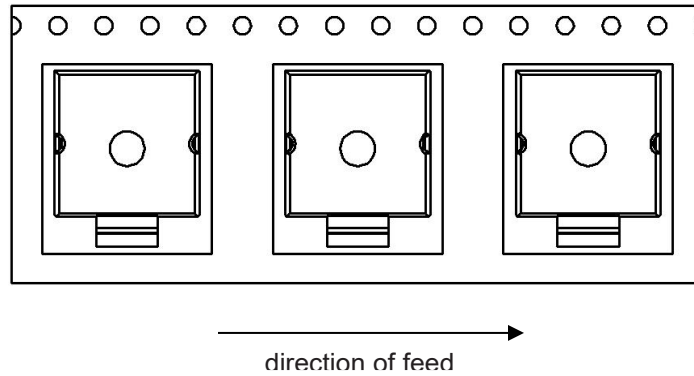


Fig 2. Product orientation in carrier tape

5. Carrier tape dimensions

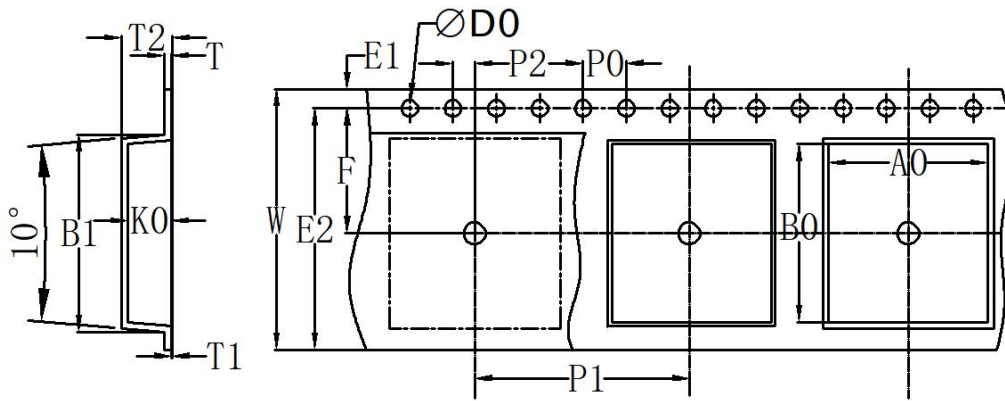


Fig 3. Carrier tape dimensions

6. Reel dimensions

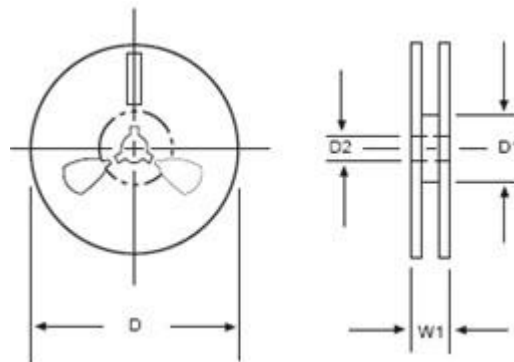


Fig 4. Reel dimensions

Table 3. Carrier tape dimensions

ITEM	SYMBOL	SPD4-1 mm(inch)
Carrier width	A0	14.70±0.1(0.579±0.004)
Carrier length	B0	16.40±0.1(0.646±0.004)
Carrier depth	K0	4.00±0.1(0.157±0.004)
Sprocket hole	D0	1.5±0.1(0.059±0.004)
Reel outside diameter	D	330±2.0(13±0.79)
Reel inner diameter	D1	100±0.2(3.937±0.008)
Feed hole diameter	D2	13±0.5(0.512±0.002)
Sprocket hole position	E1	1.75±0.1(0.069±0.004)
Punch hole position	F	11.5±0.1(0.453±0.004)
Punch hole pitch	P1	20.0±0.1(0.787±0.004)
Sprocket hole pitch	P0	4.0±0.1(0.157±0.004)
Embossment center	P2	2.0±0.1(0.079±0.004)
Total tape thickness	T	0.6MAX(0.024MAX)
Tape width	W	24.0±0.1(0.945±0.1)
Reel width	W1	30.0±2.0(1.181±0.079)